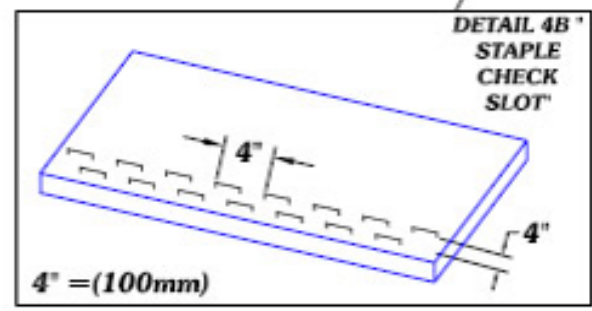
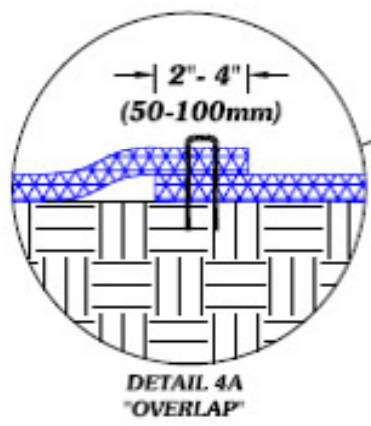
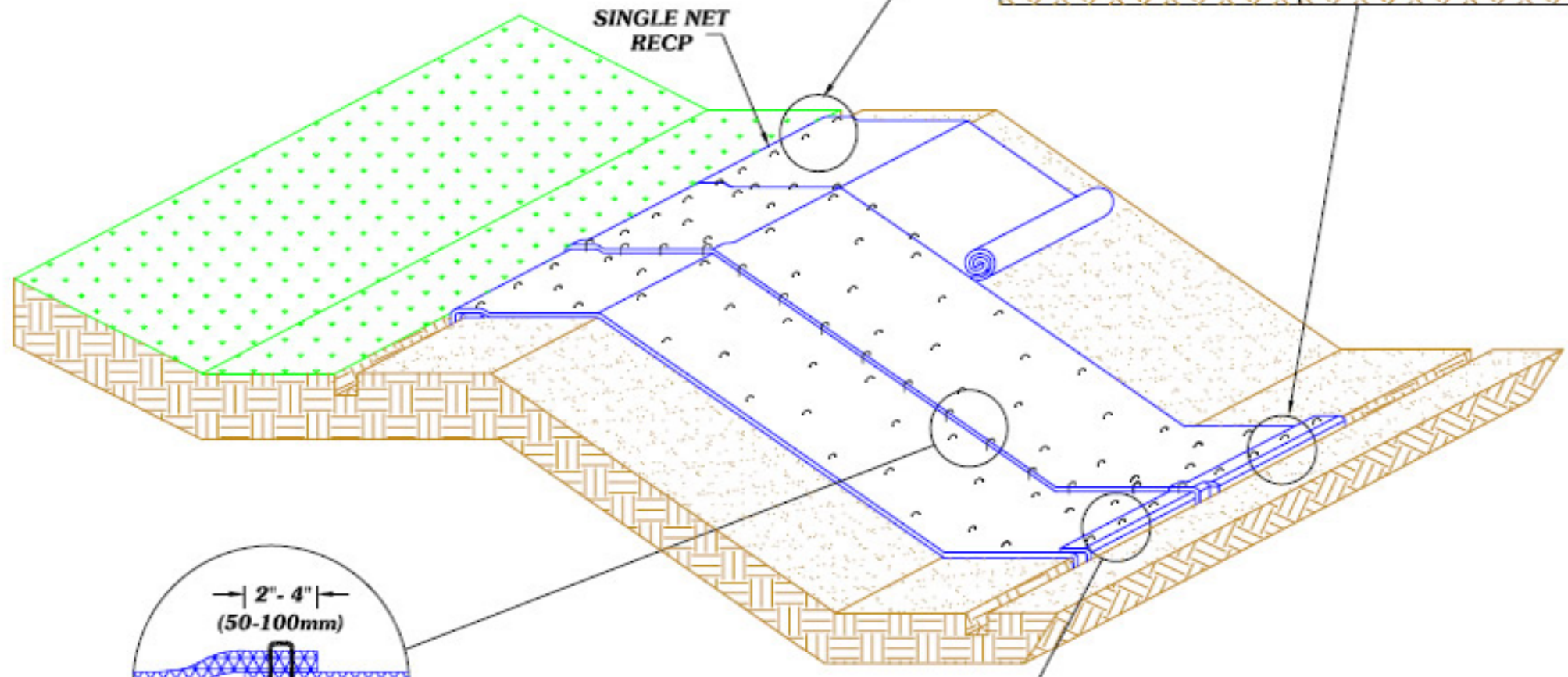
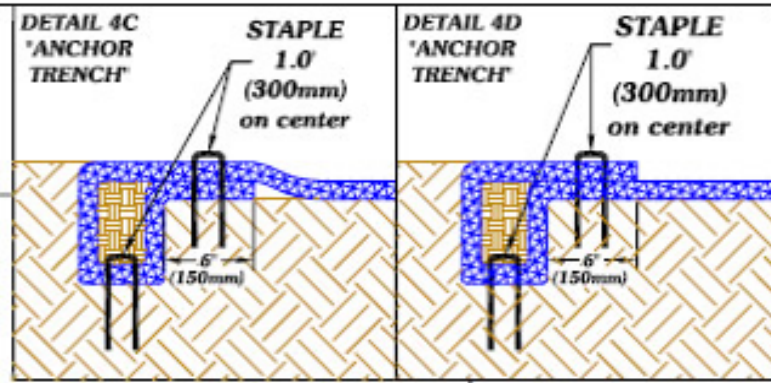


***NOTE:**
Use manufacturer's recommended staple pattern.



	DRAWING #4
	N.T.S. SINGLE NET INSTALLATION

For further information please refer to ECTC Installation Guidelines